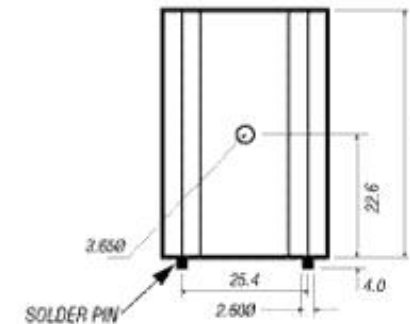
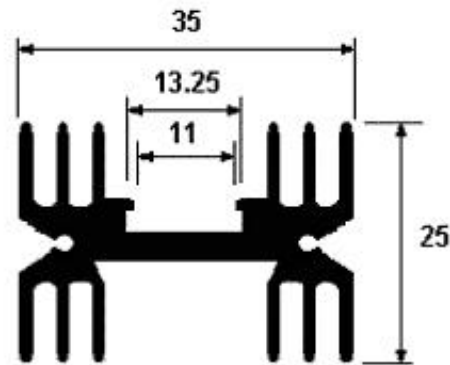


## Board Mount PPD Heat Sinks

Please see the [accessories page](#) for more details on clips, wire forms and interface material or [contact us](#).



**This heatsink is suitable for use with device(s): TO220, TO218, TO247**



**SUITABLE FOR DEVICE CLIP 03**

Length	Part Number Without Pins	Part Number With Pins	Holes	Clip	Thermal Rating °C/W	Stock Category
25.0	PPD25B	PPD25BP	No	03	9.00	A
25.0	PPD25BH	PPD25BPH	Yes	03	9.00	A
38.0	PPD38P	PPD38BP	No	03	7.00	A
38.0	PPD38BH	PPD38BPH	Yes	03	7.00	A
50.0	PPD50B	PPD50BP	No	03	5.50	A
50.0	PPD50BH	PPD50BPH	Yes	03	5.50	A
63.0	PPD63B	PPD63BP	No	03	4.50	A
63.0	PPD63BH	PPD63BPH	Yes	03	4.50	A

All dimensions shown are subject to commercial tolerances. Details of individual tolerances and fully dimensioned drawings available on request.

Where a device is shown it is for illustrative purposes only. The heatsink is supplied without a device. Most board mount and bga heatsinks are supplied black anodised to assist thermal performance.

Thermal Resistance is calculated based on a distributed heat load on anodised heatsink with vertically mounted fins based on a 60°C temperature rise. Under general operating conditions the thermal mounting arrangement of devices is not known and therefore the figures should be used only as a guide to selection.

We recommend that the effectiveness of any heatsink is tested in the specific operating environment in which it will be subjected.

All information is for reference purposes only.